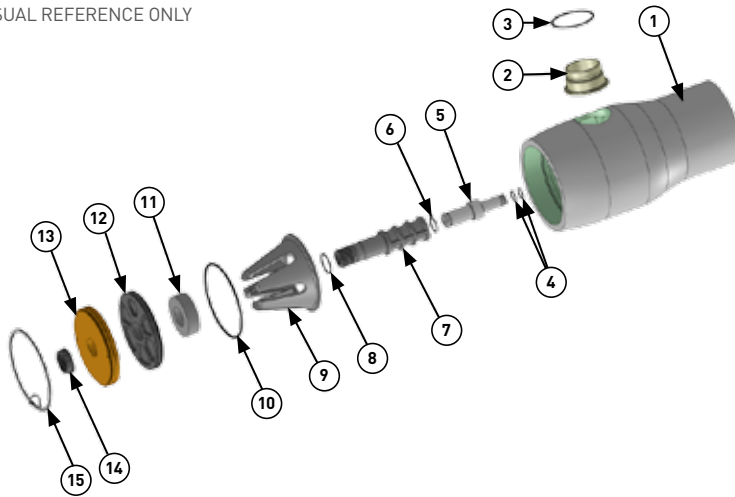


# CODELINE® - OCTA 80U SERIES - 80U30, 80U45, 80U60

The different parts of the Codeline 80U Series membrane housings are shown in the exploded view. The numbers on the exploded view are explained in the table.

## EXPLODED VIEW & DETAILS

A GENERIC VIEW FOR VISUAL REFERENCE ONLY



## PARTS TABLE

DRG REG	QTY	DESCRIPTION	MATERIAL	80U30	80U45	80U60
				PART NUMBER	PART NUMBER	PART NUMBER
1	1	Shell	Filament Wound Epoxy / Glass composites. Head Locking grooves integrally wound in place.	Order section	Order section	Order section
2	AR	F / C Port	CF3M	As required	As required	As required
3	AR	F / C Port Seal	Ethylene Propylene	As required	As required	As required
4	4	PWT Seal	Ethylene Propylene - O Ring	As required	As required	As required
5	2	Adapter	Engineering Thermoplastic	As required	As required	As required
6	2	Adapter Seal	Ethylene Propylene - O Ring	52245	52245	52245
7	2	Permeate Port	Engineering Thermoplastic	96263	96263	96263
8	2	Permeate Port Seal	Ethylene Propylene - O Ring	45312	45312	45312
9	1	Thrust Cone	Engineering Thermoplastic	96163	96163	96163
10	2	Head Seal	Ethylene Propylene - O Ring	96000	96000	96000
11	2	Spacer	Engineering Thermoplastic	96262	96262	96262
12	2	Sealing Plate	Engineering Thermoplastic	96159	96159	96159
13	2	Bearing Plate	6061-T6 Aluminium Alloy - Hard Anodized	96156	96157	96157
14	2	Port Nut	Engineering Thermoplastic	45066	45066	45066
15	2	Retaining Ring	316 Stainless Steel	47336	47336	47336
16*	AR	Saddle	Engineering Thermoplastic	52169	52169	52169
17*	AR	Strap Assembly	304 Stainless Steel - PVC Cushion	45042	45042	45042
18*	AR	Strap Screw	5/16-18 UNC, 18-8 Stainless Steel	46265	46265	46265

\* Not shown in the exploded view

## CODELINE®

PENTAIR WATER INDIA PVT. LTD. L / 52 - 55, VERNA INDUSTRIAL ESTATE, VERNA, GOA, INDIA - 403 722 WWW.CODELINE.COM

Note: The information and data contained in this document are based on our general experience and are believed to be correct. They are given in good faith and are intended to provide a guideline for the selection and use of our products. Since the conditions under which our products may be used are beyond our control, this information does not imply any guarantee of final product performance and we cannot accept any liability with respect to the use of our products. The quality of our products is guaranteed under our conditions of sale. Existing industrial property rights must be observed.  
EV CODELINE OCTA 80U SERIES EN 3915 © 2015 Pentair. All Rights Reserved.