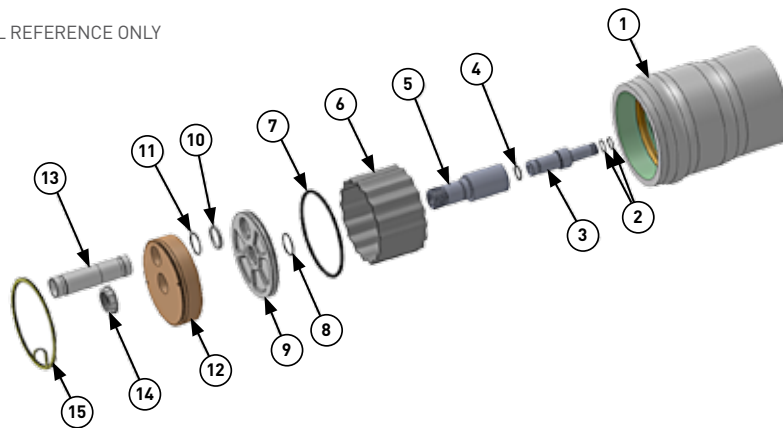


## CODELINE® - 80E SERIES - 80E30, 80E45, 80E60, 80E100, 80E120

The different parts of the Codeline 80E Series membrane housings are shown in the exploded view. The numbers on the exploded view are explained in the parts table.

### EXPLODED VIEW & DETAILS

A GENERIC VIEW FOR VISUAL REFERENCE ONLY



### PARTS TABLE

DRG REG	QTY	DESCRIPTION	MATERIAL	80E30	80E45	80E60	80E100	80E120
				PART NUMBER	PART NUMBER	PART NUMBER	PART NUMBER	PART NUMBER
1	1	Shell	Filament Wound Epoxy / Glass composites. Head Locking grooves integrally wound in place.	Order section	Order section	Order section	Order section	Order section
2	4	PWT Seal	Ethylene Propylene - O Ring	As required	As required	As required	As required	As required
3	2	Adapter	Engineering Thermoplastic	As required	As required	As required	As required	As required
4	2	Adapter Seal	Ethylene Propylene - O Ring	52245	52245	52245	52245	52245
5	2	Permeate Port	Engineering Thermoplastic	50608	50569	50569	50558	50558
6	1	Thrust Ring	Engineering Thermoplastic	45069	45069	45069	45069	45069
7	2	Head Seal	Ethylene Propylene - O Ring	96000	96000	96000	96000	96000
8	2	Perm Port Seal	Ethylene Propylene - O Ring	45312	45312	45312	45312	45312
9	2	Sealing Plate	Engineering Thermoplastic	96003	96003	96003	96003	96003
10	2	Port Retainer / Set	Stainless Steel / Two-piece Set	45247	45090	45090	45090	45090
11	2	FC Port Seal	Ethylene Propylene - O Ring	45312	45312	45312	45312	45312
12	2	Bearing Plate	6061-T6 Aluminum Alloy - Hard Anodized	51050	51051	51052	47317	47317
13	2	Feed / Conc Port	Stainless Steel 316L** / Super Duplex Stainless Steel	50607**	50567**	50567**	50556	50556
14	2	Port Retainer / Port Nut	Stainless Steel / Engineering Thermoplastic	45247	45066	45066	45066	45066
15	2	Retaining Ring	316 Stainless Steel	47336	47336	47336	47336	47336
16*	AR	Saddle	Engineering Thermoplastic	52169	52169	52169	52169	52169
17*	AR	Strap Assembly	304 Stainless Steel - PVC Cushion	45042	45042	45042	45042	45042
18*	AR	Strap Screw	5/16-18 UNC, 18-8 Stainless Steel	46265	46265	46265	46265	46265

\* Not shown in the exploded view

\*\* Stainless Steel 316L material

### CODELINE®

PENTAIR WATER INDIA PVT. LTD. L / 52 - 55, VERNA INDUSTRIAL ESTATE, VERNA, GOA, INDIA - 403 722 WWW.CODELINE.COM

Note: The information and data contained in this document are based on our general experience and are believed to be correct. They are given in good faith and are intended to provide a guideline for the selection and use of our products. Since the conditions under which our products may be used are beyond our control, this information does not imply any guarantee of final product performance and we cannot accept any liability with respect to the use of our products. The quality of our products is guaranteed under our conditions of sale. Existing industrial property rights must be observed.  
EV CODELINE 80E SERIES EN 3915 © 2015 Pentair. All Rights Reserved.